

Who better to design a lamp power supply than the lamp manufacturer themselves. **BHK** offers a complete line of power supplies specifically designed to power **BHK's** full line of light source products. This "Systems Approach" to application-specific lighting ensures maximum overall system performance and lamp life.

BHK's power supply line is divided into three categories:

AC Stand-Alone Supplies:

These AC power supplies have been designed to readily operate **BHK** lamps in a laboratory bench top environment.

AC Power Transformers:

A variety of AC Power Transformers for OEM applications, designed for **BHK's** Mercury, Cadmium, Zinc and Grid Lamps.

DC Solid State Supplies:

Compact state-of-the-art PC Board Mountable designs for OEM applications. Operations are set at a frequency of 27KHz typically and specific for 1" and 2" lighted length Mercury Analamps. PC Board mounted supplies include internal EMI/RFI Shielding.

For a complete optical feedback controlled system with 0.1% stability, please refer to our Lamp Manager™ Brochure for more information.



Features

- Power Supplies Designed Specifically for **BHK** Lamps and Light Sources
- DC Power Supplies
- OEM Laboratory Power Supplies
- OEM Transformers
- High Frequency Power Supplies
- Custom Designs Available
- ISO 9001:2008 Certified



Power Supplies

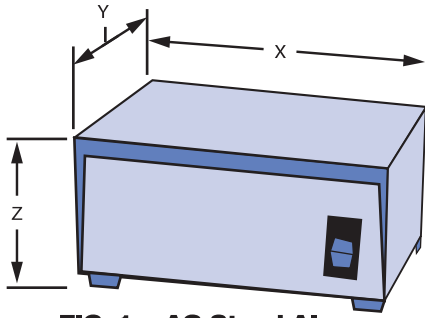


FIG. 1 - AC Stand Alone Power Supply

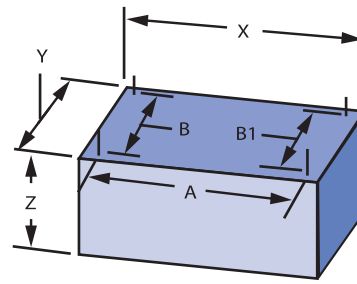


FIG. 2 - DC Power Supplies

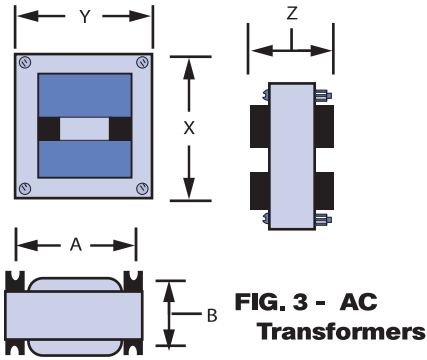


FIG. 3 - AC Transformers

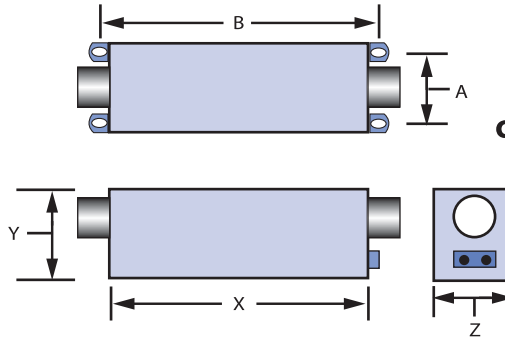


FIG. 4 - Grid Transformers

DESCRIPTION	ELECTRICAL DATA								MECHANICAL DATA (inches)						
	LAMP TYPE	P/N	INPUT Volt. *(rms)	Curr. *(rms)	INPUT Volt. *(rms)	OUTPUT Curr. *(rms)	Freq. (Hz)	FIG.	X	Y	Z	A	B	B1	WT. (lbs)
OEM DC POWER SUPPLIES															
12Vdc (PC Board Mounting)	Hg/RG	68-0020-04	12Vdc	400mA	1100V	20mA	27K	2	2.5"	1.25"	1.0"	2.0"	0.80"	0.80"	4 oz
24Vdc (PCB Mount)	Hg/RG	68-0020-11	24Vdc	400mA	1100V	20mA	27K	2	2.5"	1.25"	1.0"	2.0"	0.80"	0.80"	4 oz
48Vdc (PCB Mount)	Hg/RG	68-0020-07	48Vdc	400mA	1100V	20mA	27K	2	2.5"	1.25"	1.0"	2.0"	0.80"	0.80"	4 oz
24Vdc (PCB Mount w/5V Switch)**	Hg/RG	68-0020-14	24Vdc	400mA	1100V	20mA	27K	2	2.5"	1.25"	1.0"	2.0"	0.80"	0.80"	4 oz
12Vdc (Chassis Mount)	Zn/Cd	68-0026-01	12Vdc	800mA	1100V	47.5mA	27K	2	4.0"	4.0"	1.0"	-	-	-	8 oz
24Vdc (Chassis Mount)	Zn/Cd	68-0026-02	24Vdc	800mA	1100V	47.5mA	27K	2	4.0"	4.0"	1.0"	-	-	-	8 oz
48Vdc (Chassis Mount)	Zn/Cd	68-0026-03	48Vdc	800mA	1100V	47.5mA	27K	2	4.0"	4.0"	1.0"	-	-	-	8 oz
AC POWER SUPPLIES															
Stand-Alone	Hg	90-0001-01	120V	0.65A	1600V	20mA	50/60	1	6.25"	4.5"	3.38"	-	-	-	5
Stand-Alone	Hg	90-0001-02	230V	0.35A	1600V	20mA	50/60	1	6.25"	4.5"	3.38"	-	-	-	5
Stand-Alone	Hg	90-0002-01	120V	0.65A	1600V	20mA	50/60	1	6.25"	4.5"	3.38"	-	-	-	5
Stand-Alone	Hg	90-0002-02	230V	0.35A	1600V	20mA	50/60	1	6.25"	4.5"	3.38"	-	-	-	5
Stand-Alone	Hg	90-0005-01	85-240V	0.5A	1100V	20mA	27K	1	4.0"	6.5"	2.25"	-	-	-	1
Stand-Alone	Grid	90-0003-01	120V	1.0A	3000V	30mA	50/60	1	10.0"	8.0"	5.5"	-	-	-	8
Stand-Alone	Grid	90-0003-02	230V	0.5A	3000V	30mA	50/60	1	10.0"	8.0"	5.5"	-	-	-	8
Stand-Alone	Zn/Cd	90-0010-01	120V	1.0A	1900V	47mA	50/60	1	6.25"	4.5"	3.38"	-	-	-	5
Stand-Alone	Zn/Cd	90-0005-02	85-240V	1.0A	1100V	47mA	27K	1	4.0"	6.5"	2.25"	-	-	-	1
AC POWER TRANSFORMERS															
OEM VERSIONS	Hg	50-0001-01	120/230V	0.65/0.35A	1600V	20mA	50/60	3	3.25"	3.75"	2.63"	2.0"	3.13"	-	4
OEM VERSIONS	Hg	50-0001-08	120/230V	0.4/0.2A	1200V	20mA	50/60	3	2.5"	3.0"	2.5"	2.0"	2.5"	-	3
OEM VERSIONS	Grid	50-0010-01	120V	2.25A	7500V	30mA	60	4	8.25"	3.0"	3.50"	2.0"	9.0"	-	12
OEM VERSIONS	Grid	50-0011-01	120/230V	1.0/0.5A	3000V	30mA	50/60	3	3.0"	5.0"	3.75"	1.75"	4.5"	-	6
OEM VERSIONS	Grid	50-0015-01	120V	4.25A	7500V	60mA	60	4	8.75"	5.25"	4.0"	2.5"	10.0"	-	22
OEM VERSIONS	Grid	50-0020-01	120V	8.0A	7500V	120mA	60	4	9.25"	6.63"	5.38"	3.0"	10.25"	-	40

RG=Rare Gas Lamps

NOTE: For information on our complete lamp management system, please see our "Lamp Manager" data sheet.

* Unless otherwise specified

** This power supply is triggered electrically with a separate 5Vdc switch incorporated into the unit. Contact us for more details.

WARRANTY - 1 Year Parts & Labor.



More Than A Lamp Manufacturer

760 E. Sunkist Street • Ontario, CA • 91761 • 909-983-2973 • FAX 909-986-7891

© BHK Inc. 2/10