

# Newton CCD

## Spectroscopy at Pace

### Key Specifications

- ✓ Peak QE up to 95%
- ✓ TE cooling down to -100°C
- ✓ Ultravac™ technology
- ✓ 26 or 13.5 μm pixel size
- ✓ 1024x256 or 2048x512 pixel matrix
- ✓ Up to 1,612 spectra per second
- ✓ Read noise as low as 2.5 e-

### Key Applications

- ✓ Raman
- ✓ Fluorescence
- ✓ Luminescence
- ✓ Photoluminescence
- ✓ Absorption/Transmission/Reflection
- ✓ Micro-spectroscopy
- ✓ Non-linear spectroscopy (SFG/SHG)

Available with  
**Anti-fringing Deep  
Depletion &  
Dual AR Extended  
Dynamic Range  
Technology**



# Introducing Newton CCD

## Spectroscopy at Pace



The high-end USB 2.0 Newton CCD series brings together Andor's ultra fast, low-noise electronics platform and market-leading deep thermo-electric cooling to  $-100^{\circ}\text{C}$ , complemented by Andor's Ultravac™ technology with its un-matched reliability track record in the scientific and industrial communities.

Broadband detection rates of up to 1,600 spectra per second are enabled with intelligent Crop Mode operation. The Newton CCD is an ideal tool for ultrafast UV, VIS or NIR spectroscopy (or all the above with the Dual AR-coating BEX2-DD technology), such as 2D chemical mapping, online process monitoring or non-invasive medical diagnosis.

The Newton 940 series offers  $13.5 \times 13.5 \mu\text{m}$  pixels for the highest UV to VIS resolution spectroscopy, while the 920 series and its  $26 \times 26 \mu\text{m}$  offers the highest dynamic range for UV to NIR applications. Both  $> 6.6 \text{ mm}$  high sensors are ideally suited for multi-track spectroscopy or hyper-spectral imaging.

## Features & Benefits

Feature	Benefit
Peak QE up to 95%	Visible-optimized 'BV', infrared-optimized 'BR-DD' and broadband UV-NIR 'BEX2-DD' model
Fringe suppression technology (BR-DD models)	Fringing greatly reduced (Deep-Depletion)
Extended range dual-AR option	Superior UV-NIR broadband QE
TE cooling down to $-100^{\circ}\text{C}$	Critical for elimination of dark current detection limit - no inconvenience associated with $\text{LN}_2$
Multi-Megahertz Readout	High repetition rates achievable with low noise electronics
Crop Mode Operation	Up to 1,600 spectra per second rates
Single UV-grade fused silica window	Best UV-NIR throughput performance, specific AR coating and wedge options available
Down to $13.5 \times 13.5 \mu\text{m}$ pixels	Optimized format for high resolution spectroscopy
Software-selectable pre-amplifier gain	Choice of best SNR performance or dynamic range at the touch of a button
USB 2.0 connection	Ideal for laptop operation, Seamless operation alongside USB-based Shamrock spectrograph family
Solis software for Spectroscopy	Comprehensive, user-friendly interface for simultaneous detector & spectrograph control
Software Development Kit (SDK)	Ease of control integration into complex setups: Matlab, Labview, Visual Basic or C/C++

## Key Specifications <sup>•1</sup>

Model number	DU920P	DU920P Bx-DD	DU940P
Sensor options	<ul style="list-style-type: none"> <li>● BU: Back Illuminated CCD, UV-Enhanced, 350 nm optimized</li> <li>● BU2: Back Illuminated CCD, UV-Enhanced, 250 nm optimized</li> <li>● BVF: Back Illuminated CCD, Vis-optimized and anti-fringing</li> <li>● OE: Open Electrode CCD</li> </ul>	<ul style="list-style-type: none"> <li>● BR-DD: Back Illuminated, Deep Depletion CCD with anti-fringing</li> <li>● BEX2-DD: Back Illuminated, Deep Depletion CCD with anti-fringing, extended range dual AR coating</li> </ul>	<ul style="list-style-type: none"> <li>● BU: Back Illuminated CCD, UV-Enhanced, 350 nm optimized</li> <li>● BU2: Back Illuminated CCD, UV-Enhanced, 250 nm optimized</li> <li>● BV: Back Illuminated CCD, Vis-optimized</li> <li>● FI: Front Illuminated CCD</li> <li>● UV: Front Illuminated CCD with UV coating</li> </ul>
Active pixels <sup>•2</sup>	1024 x 255	1024 x 256	2048 x 512
Pixel size	26 x 26 $\mu\text{m}$	26 x 26 $\mu\text{m}$	13.5 x 13.5 $\mu\text{m}$
Image area	26.7 x 6.7 mm with 100% fill factor	26.7 x 6.7 mm with 100% fill factor	27.6 x 6.9 mm with 100% fill factor
Minimum temperatures <sup>•3</sup> Air cooled Coolant recirculator Coolant chiller, coolant @ 10°C, 0.75 l/min		-80°C -95°C -100°C	
Max spectra per second <sup>•4</sup>	144 (OE - Full Vertical Bin) 273 (Full Vertical Bin) 1,149 (OE - Crop Mode - 20 rows) 1,612 (Crop Mode - 20 rows)	272 (Full Vertical Bin), 1,587 (Crop Mode - 20 rows)	122 (Full Vertical Bin), 943 (Crop Mode - 20 rows)
System window type	BV, BVF, FI, UV, UVB, OE sensors: UV-grade fused silica, 'Broadband VUV-NIR', unwedged BR-DD sensor: UV-grade fused silica, 'VIS-NIR enhanced', wedged BEX2-DD sensor: UV-grade fused silica, 'Broadband VUV-NIR', wedged (Various AR coatings & MgF <sub>2</sub> options available)		
Blemish specifications	Grade 1 sensor from supplier. Camera blemishes as defined by Andor Grade A <a href="http://andor.oxinst.com/learning/view/article/ccd-blemishes-and-non-uniformities">andor.oxinst.com/learning/view/article/ccd-blemishes-and-non-uniformities</a>		

## Advanced Specifications <sup>•1</sup>

Dark current, e <sup>-</sup> /pixel/sec @ max cooling FI, UV OE BU, BU2, BV/BVF, UVB Bx-DD	- 0.0002 0.0003 -	- - - 0.003	0.0003 - 0.0002 -
Register well depth Standard mode High Sensitivity mode High Capacity mode	1,000,000 e <sup>-</sup> - -	1,000,000 e <sup>-</sup> - -	- 150,000 e <sup>-</sup> 600,000 e <sup>-</sup>
Active area pixel well depth <sup>•5</sup>	BU, BU2, BVF: 400,000 e <sup>-</sup> OE: 300,000 e <sup>-</sup>	650,000 e <sup>-</sup>	BU, BU2, BV: 100,000 e <sup>-</sup> FI, UV: 140,000 e <sup>-</sup>
Read noise (e <sup>-</sup> ) <sup>•6</sup> Standard mode: Typ (Max) High Sensitivity mode: Typ (Max) High Capacity mode: Typ (Max)	50 kHz    1 MHz    3 MHz 4 (8)    12 (18)    20 (30) -    -    - -    -    -	50 kHz    1 MHz    3 MHz 4 (8)    12 (15)    15 (30) -    -    - -    -    -	50 kHz    1 MHz    3 MHz -    -    - 2.5 (4)    7 (12)    11 (15) 9 (12)    27 (32)    40 (56)
Sensitivity (e <sup>-</sup> /count) Standard mode High Sensitivity mode High Capacity mode	Adjustable from 2.5 - 10 - -	Adjustable from 2.5 - 10 - -	- Adjustable from 1 - 4 Adjustable from 4 - 16
Linearity <sup>•7</sup>	Better than 99%		
Digitization	16 bit		
Vertical clock speed <sup>•8</sup>	Software selectable between 2 - 179 $\mu\text{s}$		

## Applications Guide

	BU/ BU2 models	BV/BVF models	BR-DD models	BEX2-DD models	FI models	OE models	UV models
Absorption/Transmittance/Reflection	○	●	○	○	○	○	○
Fluorescence & Luminescence	○	●	○	○	○	○	○
NIR Spectroscopy			●	○	○	○	○
Raman Spectroscopy (244 – 488 nm)	●	○				○	○
Raman Spectroscopy (514, 531 nm)	○	●	○	○	○	○	○
Raman Spectroscopy (633, 785, 830 nm)			●	○	○	○	○
UV-VIS-NIR broadband spectroscopy				●		○	○

○ = Suitable ● = Optimum

## Have you found what you are looking for?

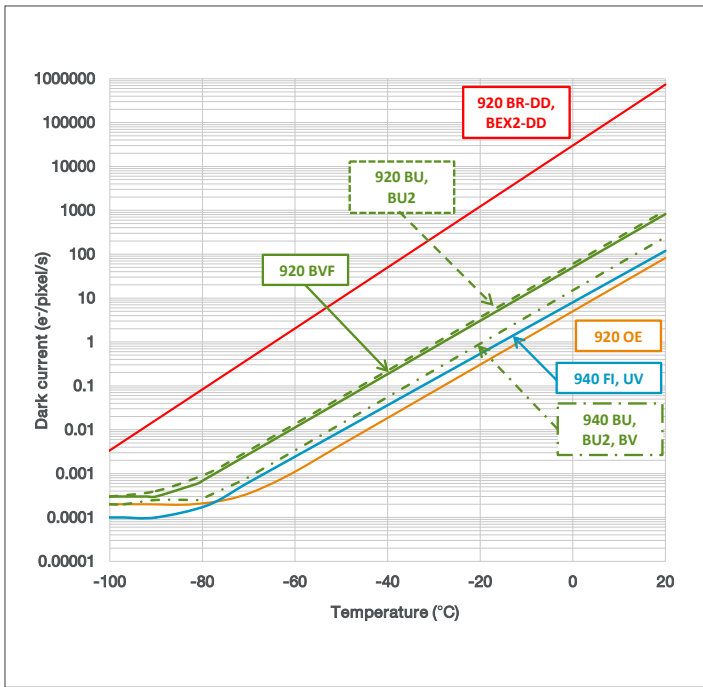
**Need to work further into the NIR?** The [iDus InGaAs](#) series, with up to 1024 pixel linear array with transmission to 2.2 μm.

**Need higher sensitivity in the Visible?** The [Newton EMCCD](#) provide detection capabilities down to single photon.

**Need a customized version?** Please contact us to discuss our Customer Special Request options.

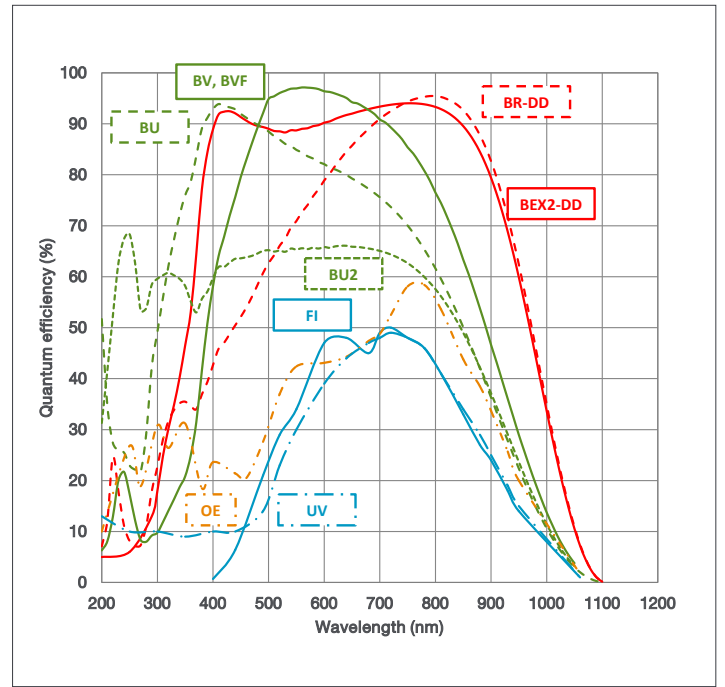
The Newton series combines seamlessly with Andor's research grade Kymera and Shamrock Czerny-Turner spectrographs.

## Dark Current <sup>9</sup>

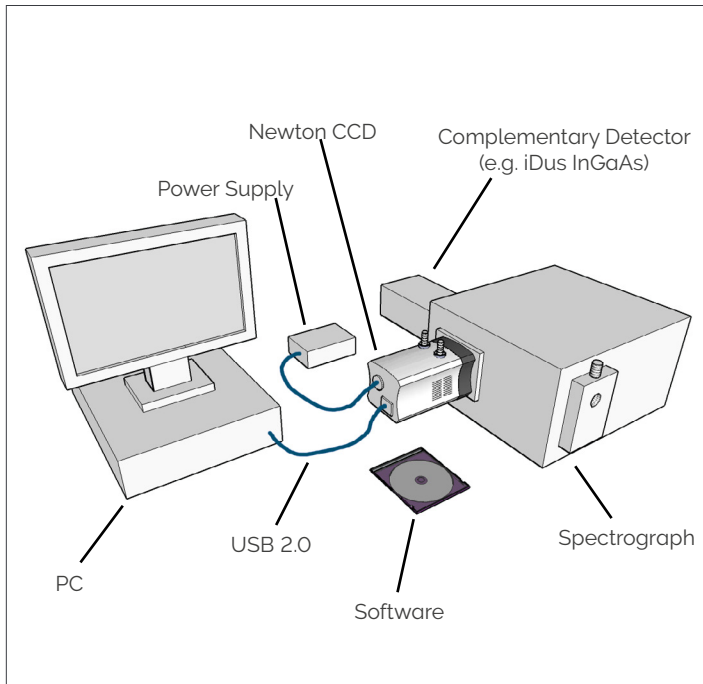


## Quantum Efficiency Curves <sup>10</sup>

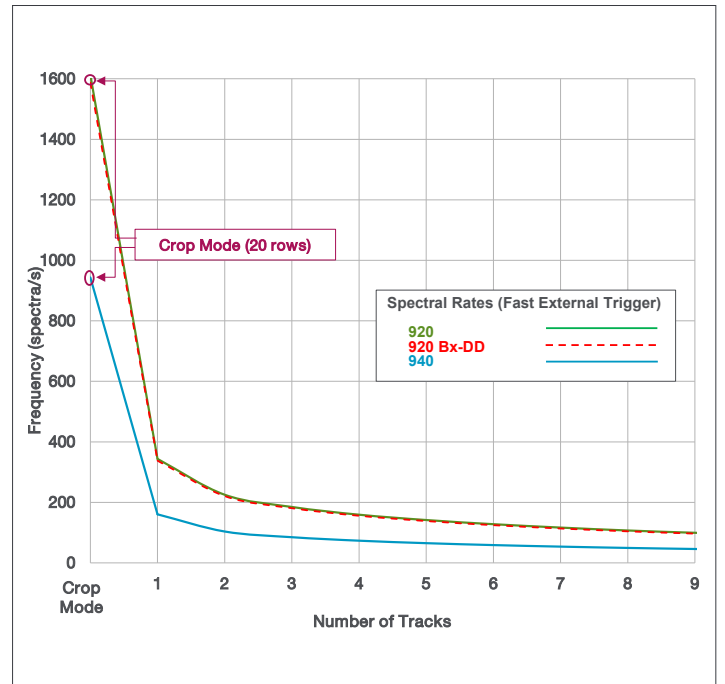
25°C



## Typical Setup



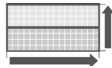
## Readout Rate & Speed <sup>11</sup>



# Creating the Optimum Product for you



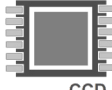
**Step 1. Choose the sensor array size**



Array Size

Description	Code
1024 x 255 array	<b>920</b>
1024 x 255 array (BxDD)	
2048 x 512 array	<b>940</b>


**Step 2. Choose the sensor type option**



Sensor Type

Description	Code
Back Illuminated CCD, Vis-optimized	<b>BV</b>
Back Illuminated, Deep Depletion CCD with fringe suppression and extended range dual AR coating (920 only)	<b>BEX2-DD</b>
Back Illuminated, Deep Depletion CCD with fringe suppression (920 only)	<b>BR-DD</b>
Front Illuminated CCD	<b>FI</b>
Back Illuminated CCD, Blue optimized AR coating	<b>BU</b>
Back Illuminated CCD, Vis-optimized and anti-fringing (920 only)	<b>BVF</b>
Back Illuminated CCD, AR coated for optimized performance in the 250 nm region	<b>BU2</b>
Front Illuminated CCD with UV coating	<b>UV</b>
Open Electrode CCD (920 only)	<b>OE</b>


**Step 3. Select an alternative camera window (optional)**



Camera Window

The standard window has been selected to satisfy most applications. However, other options are available. The alternative camera window code must be specified at time of ordering. To view and select other window options please refer to the [Camera Windows Selector](#) which gives the transmission characteristics, product codes and procedure for entering the order. Further detailed information on the windows can be found in the Technical note – '[Camera Windows: Optimizing for Different Spectral Regions](#)'.

**Step 4. Select the required accessories and adapters**




Accessories & Adapters

Description	Order Code
Coolant re-circulator for enhanced cooling performance	<b>XW-RECR</b>
Oasis 160 Ultra Compact Chiller Unit (tubing to be ordered separately)	<b>ACC-XW-CHIL-160</b>
6 mm tubing options for ACC-XW-CHIL-160 (2x2.5 m or 2x5 m lengths)	<b>ACC-6MM-TUBING-2X2.5/ ACC-6MM-TUBING-2X5M</b>
C-mount lens adaptor	<b>ACC-LM-C</b>
F-mount lens adaptor	<b>ACC-LM-NIKON-F</b>
Nikon F-mount lens adaptor with shutter	<b>LMS-NIKON-F-NS25B</b>
Shutter Driver for NS25B Bistable Shutter (not needed for Kymera/Shamrock spectrographs)	<b>ACC-SD-VED24</b>
Bistable Shutter, Standalone (not needed for Kymera/Shamrock spectrographs)	<b>ACC-SHT-NS25B</b>

**Spectrograph Compatibility**  
The Newton series is fully compatible with Andor's Kymera and Shamrock spectrographs (163 - 750 nm focal lengths). Spectrograph mounting flanges and software control are available for a wide variety of 3<sup>rd</sup> party spectrographs including, McPherson, JY/Horiba, PI/Acton, Chromex/Bruker, Oriel/Newport, Photon Design, Dongwoo, Bentham, Solar TII and others.

**Step 5. Select the required software**

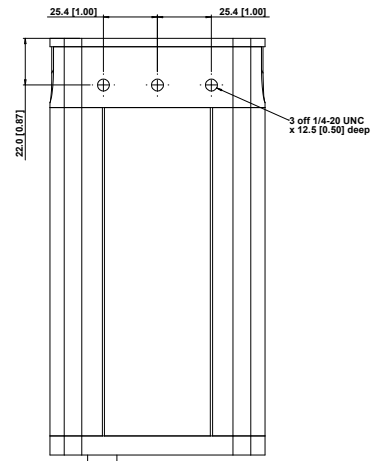
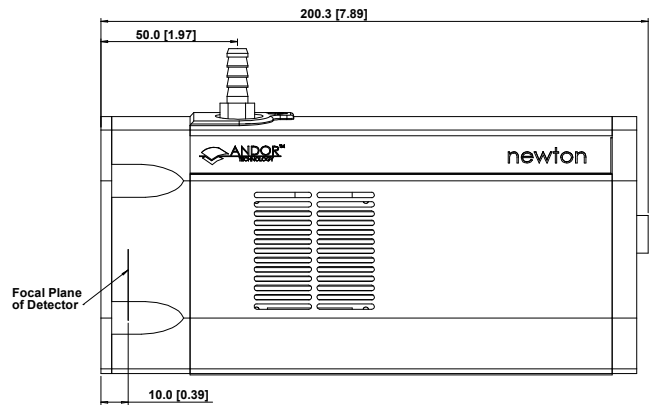
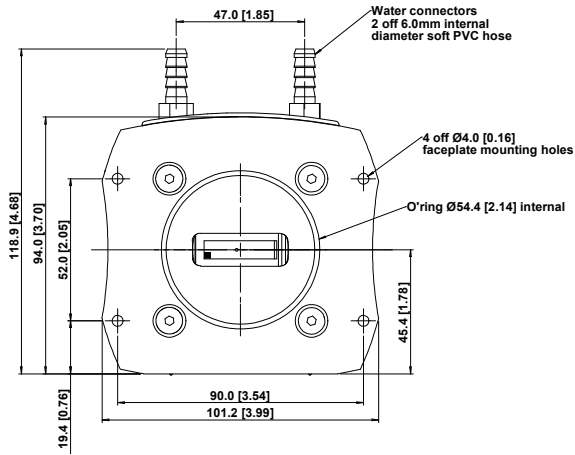
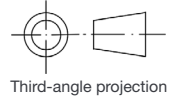


Software

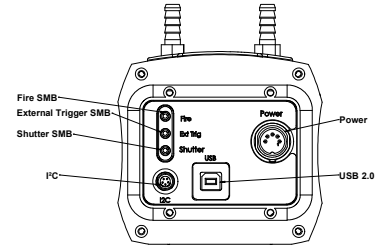
The Newton CCD requires at least one of the following software options:  
**Solis for Spectroscopy** A 32-bit and fully 64-bit enabled application for Windows (8, 8.1 and 10) offering rich functionality for data acquisition and processing. AndorBasic provides macro language control of data acquisition, processing, display and export. Control of Andor Kymera and Shamrock spectrographs and a very wide range of 3<sup>rd</sup> party spectrographs is also available, see list in step 4 above.  
**Andor SDK** A software development kit that allows you to control the Andor range of cameras from your own application. Available as 32/64-bit libraries for Windows (8, 8.1 and 10) and Linux. Compatible with C/C++, C#, Delphi, VB.NET, LabVIEW and Matlab.

# Product Drawings

Dimensions in mm [inches]



Mounting hole locations



Rear connector panel

■ = position of pixel 1,1

Weight: 2.7 kg [5 lb 15 oz]

## Connecting to the Newton

### Camera Control

Connector type: USB 2.0

### TTL / Logic

Connector type: SMB, provided with SMB - BNC cable

1 = Fire (Output), 2 = External Trigger (Input), 3 = Shutter (Output)

### I<sup>2</sup>C connector

Compatible with Fischer SC102A054-130

1 = Shutter (TTL), 2 = I<sup>2</sup>C Clock, 3 = I<sup>2</sup>C Data, 4 = +5 V<sub>DC</sub>, 5 = Ground

Minimum cable clearance required at rear of camera  
100 mm

# Order Today

Need more information? At Andor we are committed to finding the correct solution for you. With a dedicated team of technical advisors, we are able to offer you one-to-one guidance and technical support on all Andor products.

For a full listing of our local sales offices, please see: [andor.com/contact](http://andor.com/contact)

## Our regional headquarters are:

### Europe

Belfast, Northern Ireland  
Phone +44 (28) 9023 7126  
Fax +44 (28) 9031 0792

### North America

Concord, MA, USA  
Phone +1 (860) 290 9211  
Fax +1 (860) 290 9566

### Japan

Tokyo  
Phone +81 (3) 6732 8968  
Fax +81 (3) 6732 8939

### China

Beijing  
Phone +86 (10) 5884 7900  
Fax +86 (10) 5884 7901



### Items shipped with your camera:

- 1x 2m BNC - SMB connection cable
- 1x 3m USB 2.0 cable Type A to Type B
- 1x Set of hex keys (7/64", 3/32" & 3 mm)
- 1x Power supply with mains cable
- 1x User manuals in electronic format
- 1x Individual system performance booklet
- 1x Copy of Solis software or SDK (if ordered)

### Minimum Computer Requirements:

- 3.0 GHz single core or 2.4 GHz multi core processor
- 2 GB RAM
- 100 MB free hard disc to install software (at least 1 GB recommended for data spooling)
- USB 2.0 High Speed Host Controller capable of sustained rate of 40 MB/s
- Windows (8, 8.1 and 10) or Linux

### Operating & Storage Conditions

- Operating Temperature: 0°C to 30°C ambient
- Relative Humidity: < 70% (non-condensing)
- Storage Temperature: -25°C to 50°C

### Power Requirements

- 100 - 240 VAC, 50 - 60 Hz
- Power consumption: 48 W max

### Footnotes: Specifications are subject to change without notice

1. Figures are typical unless otherwise stated.
2. Edge pixels may exhibit a partial response.
3. Cooling is provided by the use of an external mains driven power supply. Minimum temperatures listed are typical values with ambient temperature of 20°C. Systems are specified in terms of minimum dark current achievable rather than absolute temperature.
4. Based on horizontal pixel readout rate of 3 MHz and a vertical shift speed of 12.9 μs (920 models), 14.5 μs (940 models) and 25.7 μs (OE model). Achievable spectral rates will vary with selected trigger mode. Due to the nature of the Open Electrode sensor, the minimum Vertical Shift Speed (VSS) available is 25.7 μs, which will produce a lower maximum spectral rate compared to other models in the series.
5. Shown for High Capacity mode. For high sensitivity mode the measurable well depth value will be lower, as a result of the combination of higher sensitivity values and A/D 16 bits digitization.
6. Readout noise is for the entire system. It is a combination of CCD readout noise and A/D noise. Measurement is for Single Pixel readout with the CCD at a temperature of -80°C and minimum exposure time under dark conditions. Noise values will change with readout mode.
7. Linearity is measured from a plot of counts vs exposure time under constant photon flux up to the saturation point of the system.
8. Vertical speeds are software selectable. All sensors are designed to give optimum Charge Transfer Efficiency (CTE) at 12.9 μs (920 models), 14.5 μs (940 models) and 25.7 μs (OE model) vertical pixel shift, some decrease in CTE may be observed at faster shift speeds.
9. The graph shows typical dark current level as a function of temperature. The dark current measurement is averaged over the CCD area excluding any regions of blemishes.
10. Quantum efficiency of the sensor as supplied by the sensor manufacturer
11. The chart shows the maximum possible readout rates available when using Multi-track mode, each track being defined as 20 rows. Crop mode is a specific single-track readout method optimized for rapid kinetic-type acquisition.



Windows is a registered trademark of Microsoft Corporation.  
Labview is a registered trademark of National Instruments.  
Matlab is a registered trademark of The MathWorks Inc.